

# Replace Filter Paper

## INSTRUCTION MANUAL

### INSTRUCTIONS:

1. Prefold filter paper by placing paper (hole sidedown) on flat surface, fold flap back on envelope and crease. Using first fold as guide, make second fold and crease paper. Unfold and turn hole side up (Figure 1).
2. Insert filter plate into paper and line up holes in plate and paper. Repeat original folds of paper (figure 2).
3. Loosen wing nuts on filter tube and clamp assembly. Slide filter paper and plate into clamp assembly until end of filter tube seats into hole in paper plate. Tighten wing nuts to secure paper and plate to filter tube and clamp assembly (figures 3 and 4).

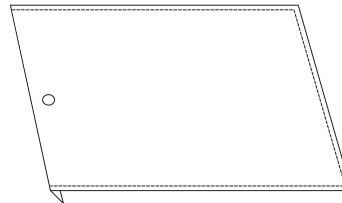


Figure 1



Figure 2

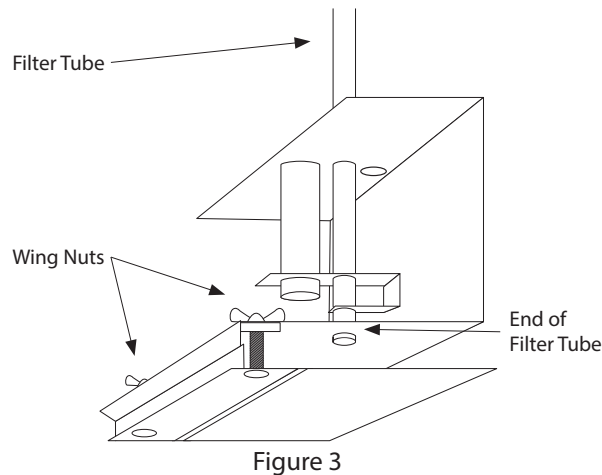


Figure 3

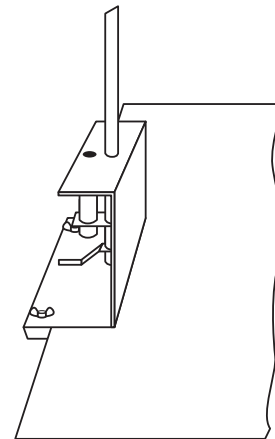


Figure 4

**Buy Winston service parts online!**  
Factory direct at [www.winstonparts.com](http://www.winstonparts.com)