

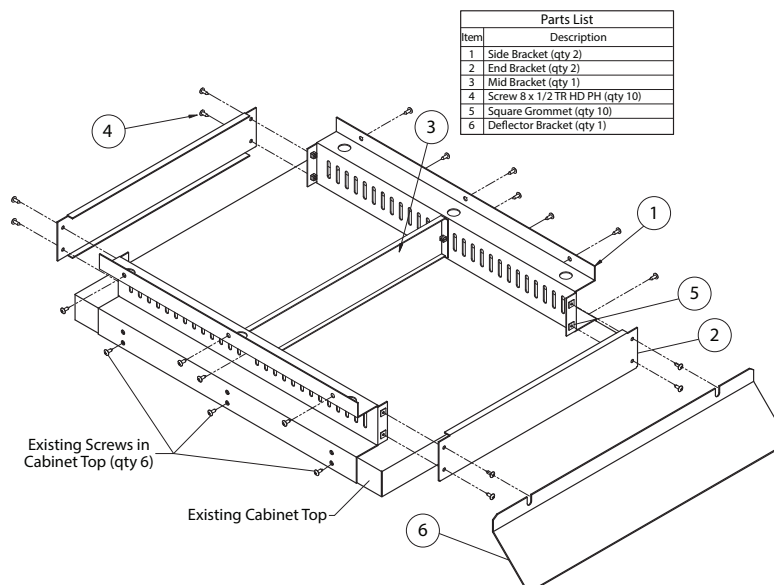
Stacking Kit Installation - PS2078, - CA, HA, CAT – 07, 09

INSTRUCTION MANUAL

TOOL(S) NEEDED: • Phillips head screwdriver

INSTRUCTIONS:

1. Unplug and drain any water from cabinets to be stacked and allow them to cool down. Consider removing shelving and rack supports from upper cabinet to make it easier to lift.
2. Remove six screws (save for reuse) from both sides of the cabinet top on the lower cabinet.
3. Place square grommets (item 5, qty 10) into the ten square holes provided on the side brackets and mid bracket.
4. Install the side brackets (item 1, qty 2) by aligning the holes in the larger flange with the lower cabinet top and re-inserting the screws from step #2 through the side brackets and into the cabinet top. The larger flange on the side bracket has two sets of holes. Use the ones that line up best with the cabinet top while the side brackets are resting on the cabinet top.
5. Install the mid bracket (item 3, qty 1) by inserting two 8 x 1/2 screws (provided) through both side brackets into the ends of the mid bracket.
6. Remove casters from the bottom side of the upper cabinet. Remove six screws (save for reuse) from the lower sides of the upper cabinet. Place the upper cabinet in place, aligning the cabinet screw holes with the top flanges of the side brackets. Use the same screws to secure the side brackets to the upper cabinet.
7. Attach the end brackets (item 2, qty 2) to the side brackets using eight 8 x 1/2 screws (provided) as shown.
8. Deflector bracket (item 6, qty 1) is meant to be installed underneath the drain plug of the upper cabinet. Install deflector bracket by partially unscrewing two top screws on the end bracket. Slide deflector bracket up under screw heads and tighten screws.
9. Check to ensure all screws are secure and units are sturdy. Plug units back into their power supply and continue normal operation.



Buy Winston service parts online!
Factory direct at www.winstonparts.com

10. Place the correct safety bracket on the top unit. Note that there are two brackets, one marked HR and one HL. Only one bracket is needed. If the cabinet is hinged right, use the HR. If it is hinged left, use the HL (see **Figure 1**).
11. After stacking the cabinets, remove the door from the top unit by opening the door 90 degrees and pulling up. Remove the two screws from the top door hinge. Place the bracket on the front of the door hinge, pulling the safety bracket as low as possible on the hinge. Reinstall the screws. Put the door back on. It will be necessary to have the door open further than 90 degrees to replace the door. Make sure the tab is below the cabinet hinge after closing the door to secure the door in place (see **Figure 2**). The door should only be removeable when it's opened past 90 degrees.

Figure 1



Figure 2



Buy Winston service parts online!
Factory direct at www.winstonparts.com