

# Upgrade Any Fryer To 8000 Series 'C' Control - Delta

## INSTRUCTION MANUAL

**TOOL(S) NEEDED:** • Phillips screwdriver • 5/16" Nut driver • 11/32" Open end • 3/32" Allen wrench  
• Needle nose pliers • 3/8" nut driver or socket wrench

(Domestic "Delta" Configuration)

### Instructions:

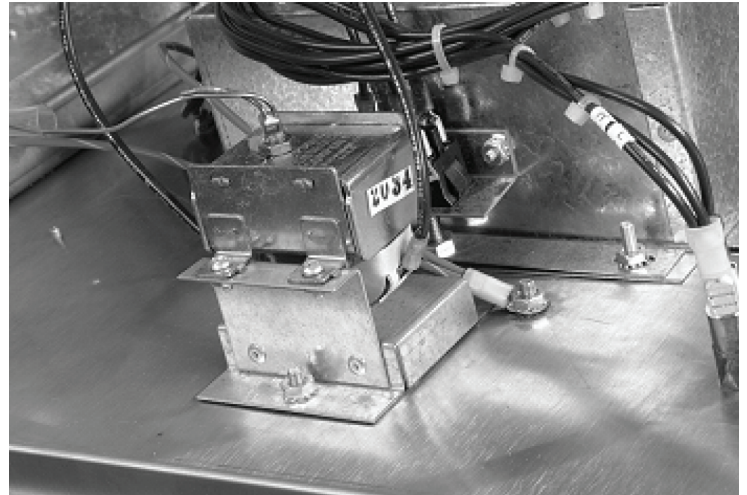
**Caution: The following procedures should only be performed by a qualified electrical equipment service technician.**

1. Disconnect unit from power supply or turn the circuit breaker to the off position.
2. Remove six screws securing the eyebrow and front escutcheon and allow escutcheon to hang in the open position.
3. Disconnect power cord from the right side of the magnetic contactor and ground lug.
4. Disconnect probe plugs from wire attachments.
5. Disconnect wires from hi-limit thermostat terminals.
6. Remove screw securing hi-limit thermostat locking arm to relay panel and remove arm.
7. Remove screws securing hi-limit thermostat body to relay panel and pull thermostat body away from panel.
8. Disconnect in-line connectors to vent solenoid wires routed around left side of cookpot.
9. Disconnect and remove all wires from heater terminals. (Leave small flat washers in place for later use.)
10. Remove four screws securing relay panel to fryer cabinet and allow panel to rest on escutcheon assembly.
11. Lift entire escutcheon/relay panel assembly off of fryer and set aside.
12. Remove old probe assembly from cookpot wall.
13. Remove vent solenoid from rear of fryer (disassemble vent assembly, see instructions at the end of this document or Lit 6117).
14. Install new vent solenoid (see instructions at the end of this document or lit 6117).
15. Install new probe assembly using gauge provided to assure proper probe positioning.
16. Place new escutcheon/relay panel assembly on front of fryer and allow to hang in open position.
17. Remove two screws securing relay panel to front escutcheon.
18. Position relay panel into fryer cabinet and start top two screws.
19. Position hi-limit thermostat body on back of escutcheon as shown in photo at right.

**Buy Winston service parts online!**  
Factory direct at [www.winstonparts.com](http://www.winstonparts.com)



20. Push relay panel into position and secure with four screws. (Note: The top two screws were started in step #16.)
21. Connect heater wires to heater terminals. (Wires from left-hand contactor go to left-hand heater terminals. Wires from right-hand contactor go to right-hand heater terminals. On the left side of the contactor, the top wire is black, middle white, and bottom orange. On the right side of the contactor, the top wire is white, middle orange, and bottom black).
22. Connect wires labeled 'HT' to hi-limit thermostat terminals.
23. Connect harness to vent solenoid wires with in-line connectors.
24. Push probe plug into receptacle located at bottom of controller housing.
25. Connect power cord to input side of right-hand contactor and ground wire to ground lug on relay panel.
26. Close front escutcheon and secure with four screws.

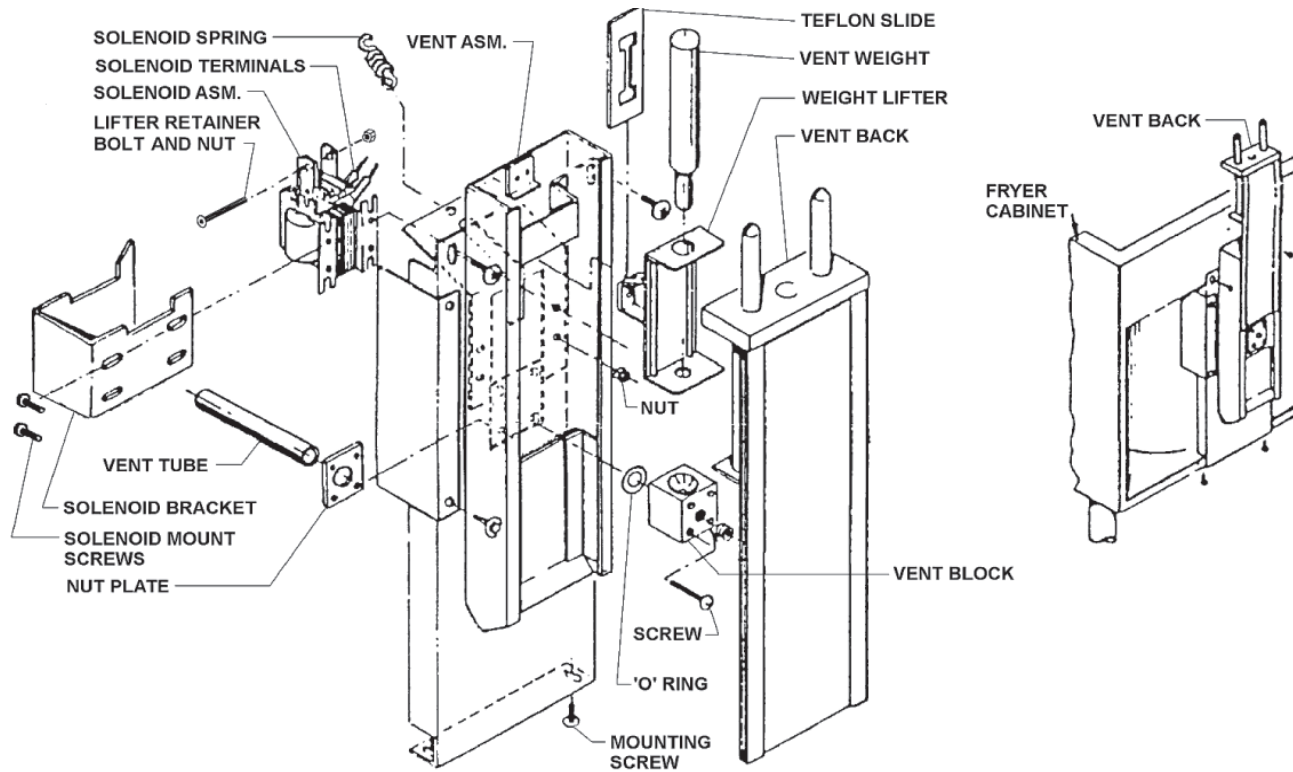


**Instructions to replace vent solenoid:**

1. Disconnect fryer from power supply or turn circuit breaker OFF.
2. Remove muffler assembly, vent back, and dead weight.
3. Remove vent block and o-ring. Discard o-ring; do not reuse.
4. Remove four screws that attach vent assembly to fryer cabinet and disconnect two wires from solenoid.
5. Carefully pull vent assembly loose from fryer.
6. Remove solenoid spring, lifter retainer bolt and nut (there may be a cotter pin here on some fryers) and hardware holding galvanized solenoid bracket in place.
7. Remove solenoid from galvanized bracket and replace with new component. Be sure that new solenoid is mounted as low as possible on the galvanized bracket (push solenoid down fully before tightening screws).
8. Secure galvanized bracket and solenoid to vent assembly. As in step 9 above, when mounting bracket to vent assembly, push bracket down as far as it will go before tightening screws.
9. Place Teflon slide on weight lifter, insert weight lifter tongue through slot in vent assembly and attach to solenoid with lifter retainer bolt.
10. Attach one end of solenoid spring to weight lifter and other end to galvanized bracket.

**Buy Winston service parts online!**  
Factory direct at [www.winstonparts.com](http://www.winstonparts.com)

11. Place nut plate onto end of vent tube and attach vent assembly to fryer cabinet with four screws. (Note: Vent tube should protrude approximately 1/2 inch through hole in vent assembly.)
12. Place new o-ring over end of vent tube and attach vent block with four screws into nut plate.
13. Reconnect vent wires to solenoid terminals.
14. Clean and replace dead weight, vent back and muffler.
15. Place fryer back into service.



**Buy Winston service parts online!**  
Factory direct at [www.winstonparts.com](http://www.winstonparts.com)