

Install Spill Guard PS2259

INSTRUCTION MANUAL

INSTRUCTIONS:

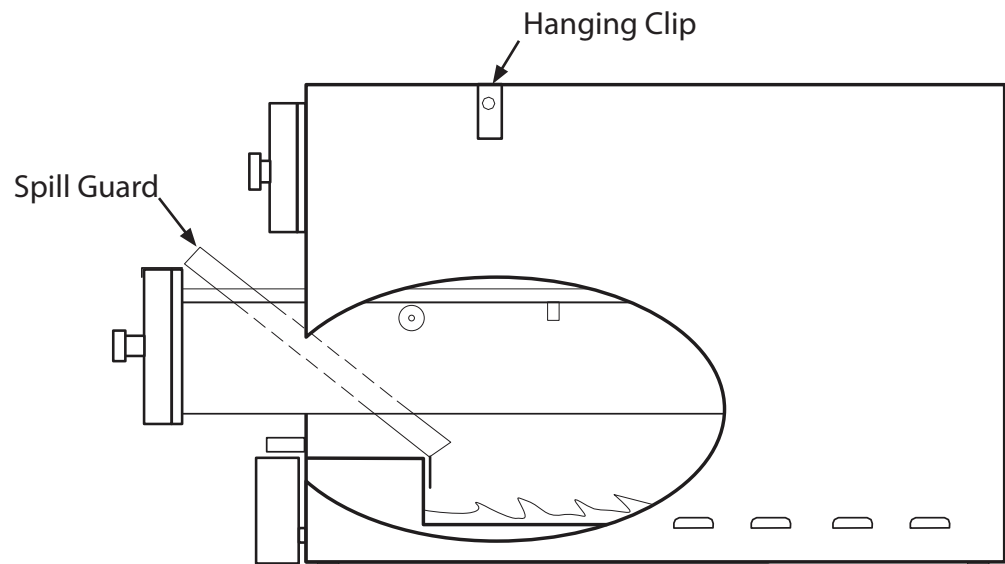
Use the spill guard as an aid to filling the evaporator of Winston CVap[®] drawers.

****NOTE ****: Use caution when opening the drawer, as it may be hot.

1. Open the bottom drawer about 1/3 of the way.
2. Rest the lip of the spill guard on the front of the drawer (see diagram below).
3. Let the tab on the spill guard rest in the evaporator pan just enough to prevent spillage.
4. Pour water slowly into the spill guard to fill the evaporator to the 'FILL' line, or within 1/2" of overflow.

Installation Procedures for Optional Hanging Clip:

1. Knock out the square in the side panel of the drawer and place a grommet in the hole.
2. Use a screw to secure the clip into place on the cabinet. The spill guard has a small notch in the rear lip that can be slid over the hanging clip.



Buy Winston service parts online!
Factory direct at www.winstonparts.com