

Install PS2181-2 Drawer Cabinet Rollers

INSTRUCTION MANUAL

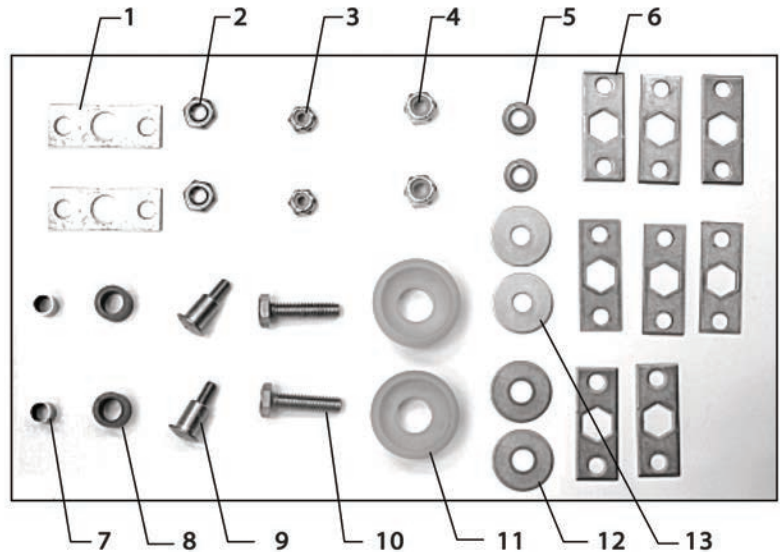
TOOL(S) NEEDED:

- 3/8" Nut driver, wrench, or socket
- 7/16" Nut driver, wrench, or socket
- 1/2" Wrench or socket
- Phillips screwdriver
- Lock-Tite - red (for revision #2)
- RTV (for revision#3)

KIT CONTENTS:

This kit contains parts for three different versions of rollers. Refer to photos to determine which revision you have and what parts are to be used to install new rollers.

1. Circle plate (2)
2. 1/4" Nut (2)
3. 10-32" Nylock nut (2)
4. 1/4" Nylock nut (2)
5. Lock washer (2)
6. Hex plate (8)
7. Steel bushing (2)
8. Plastic bushing (2)
9. 10-32"x 7/8" Screw and 7/16" bushing (2)
10. 1/4-20 Bolt (2)
11. Roller (2)
12. Washer with large hole (2)
13. Washer with small hole (2)



INSTRUCTIONS:

Roller Revision 1 - see photo at right. If your rollers match the photo at right, you have Revision 1.

1. Remove old roller assembly by removing shoulder screw, washer, and roller. Discard all.
2. Place new plastic bushing (item #8) thru new roller (item # 11).
3. Insert new washer with large hole (item #12) inside roller.
4. Insert new shoulder screw (item #9) through roller with washer assembly and place it in the cabinet. Tighten securely.

Buy Winston service parts online!
 Factory direct at www.winstonparts.com

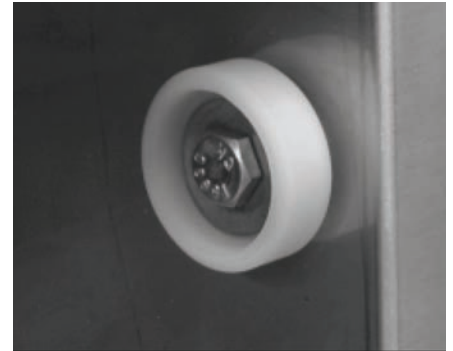
Roller Revision 2 - see photo at right. If your rollers match this photo, you have Revision 2.

1. Remove old roller assembly by removing nut, washers, bushings, and roller. Discard all.
2. Place new steel bushing (item #7) inside a new plastic bushing (item #8).
3. Place bushing assembly inside new roller (item #11).
4. Place roller/bushing assembly onto bolt inside appliance cavity.
5. Apply a small amount of Loc-Tite onto threads of bolt to help hold nut in place.
6. Place new washer with small hole (item #13), lock washer (item #5), and 1/4" nut (item #2) onto bolt and tighten securely.



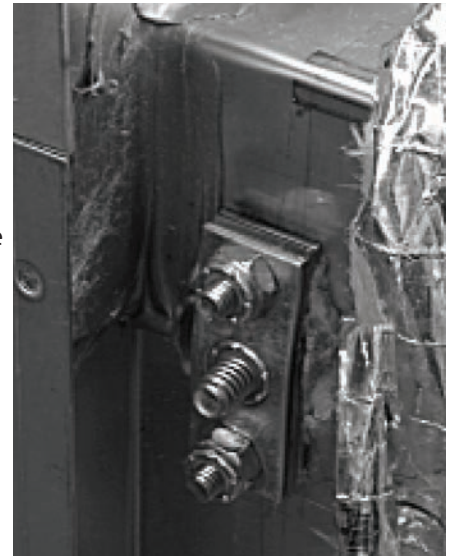
Roller Revision 3 - see photo at right. If your rollers matches this photo, you have Revision 3.

1. Remove old roller assembly by removing bolt, washer, bushings, and roller. Discard all.
2. Place new steel bushing (item #7) inside a new plastic bushing (item #8).
3. Place bushing assembly into new roller (item #11).
4. Apply washer with small hole (item #13) to inside of roller and place new 1/4-20 bolt (item #10) thru entire assembly.
5. Once bolt is inserted, place in cabinet and tighten securely.



To Replace Roller Revision 2 with Roller Revision 3

1. Remove outer cover from appliance to access mounting brackets.
2. Remove existing hardware (save nuts for reuse) from two studs and remove old RTV from around hole.
3. After cleaning surface apply new RTV around mounting hole and place one hex plate (item #6) on studs.
4. Set 1/4" Nylock nut (item #4) in hex plate and align to hole.
5. Apply three more hex plates (item #6) on top of nut and then place the circle plate (item #1) to secure nut.
6. Hand tighten two 10-32 Nylock nuts (item #3 - reuse those removed in step 2, there are two extras included in kit) onto studs on outside of appliance cavity.
7. With the nuts only hand tight, install roller assembly as described in the Roller Revision 3 above.
8. Tightened bolt securely, then tighten two nuts on the outside of the cavity.
9. Replace outer cover on appliance using pop rivets or small sheet metal screws (not provided).



Buy Winston service parts online!
Factory direct at www.winstonparts.com