

SPECIFICATIONS

Short Form Specs Winston Shortening Filter, Model F662T, to utilize single-leaf filter plate for maximum pump-out and quick-disconnect safety feature.

Construction

Capacity	Tank capacity to be 90 lbs. (41 kg.).
Electrical	Supplied with 72" (152 mm) power cord and plug.
Plumbing	None.
Materials	To be 16 - 20 gauge stainless steel.



F662T
TRANSPORT SHORTENING FILTER

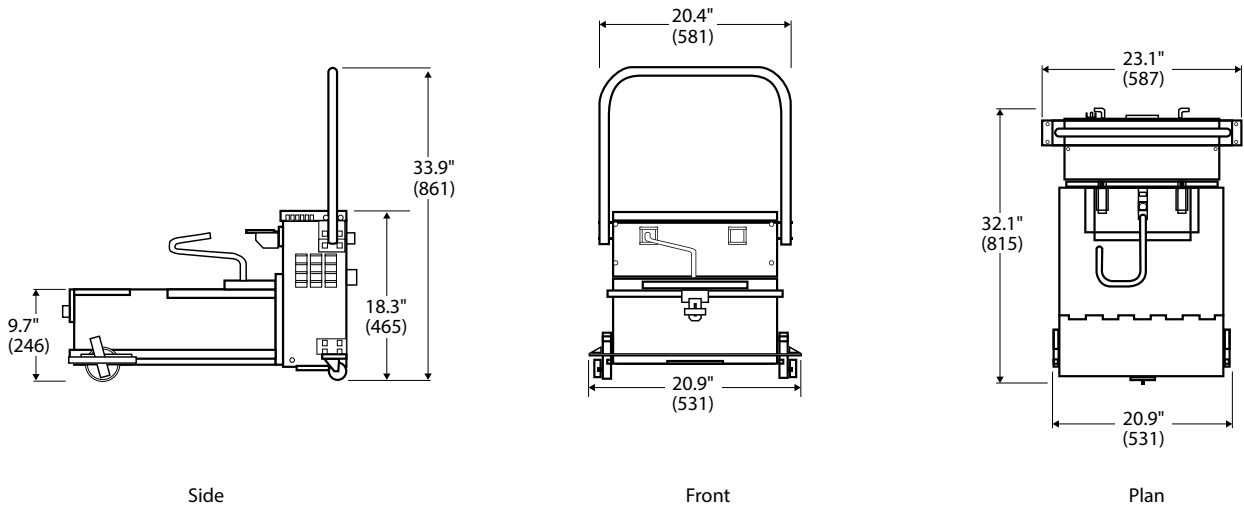


Winston Shortening Filters are designed for recycling shortening and can extend shortening life by as much as 75%.




JOB

ITEM#



Drawings no to scale.

capacity	size in (mm)	volts	hertz	ph	amps	watts	nema	ship wt. lb (kg)	ship cube
90 lbs (41 kg.)	H= 33.87" (860) W= 23.125" (587) D= 32.125" (816)	US / CANADA							
		120	60	1	5.0	600	5-15P 	110 (50)	9.8 (0.28)
		INTERNATIONAL							
		230*	50	1	2.5	575	N/A	135 (61)	call factory

Includes: 10 sheets filter paper (16.75" x 22.5"), 1 tank cover.

PATENTED TECHNOLOGY Single-leaf filter plate pulls the carbon particles and other substances from the shortening.

EASY-TO-USE Portable design allows for the filtering of one or multiple fryers. Quick disconnect provides safe operation.

BUILT TO LAST WITH QUALITY CRAFTSMANSHIP, Quality craftsmanship and high grade stainless steel construction. Durable and easy to clean. Heavy-duty pump and motor speeds filtering time to three G.P.M. (11.4 L.P.M).

INDUSTRY COMPLIANT, Winston Shortening Filters are built to comply with all domestic, and most international requirements, such as UL, C-UL, UL Sanitation, DEMKO, CE, MEA, NSF, and others.

CRUMB-CATCHING PRE-FILTER, Standard on all transport units.

WARRANTY. Limited one year warranty. Warranty disclaimer for failure to clean. Ask for complete warranty disclosure.

SPECIFY THE FOLLOWING WHEN ORDERING:

Optional (Additional cost):

1. Extended Warranty: Adds parts and labor warranty coverage for one additional year
2. Added accessories or supplies

*Inquire about additional international voltages available.

Included Accessories (No additional cost):

- 10 Filter paper sheets (16.75" x 22.5" (425 mm x 572 mm))
- 1 Tank Cover

Accessories & Supplies (Additional cost):

- PS1488 Filter paper for F662T (100 pack)
- PS1546 Pre-filter for F662T

FOR WINSTON SERVICE PARTS, ACCESSORIES, AND SUPPLIES ONLINE!
foodservice.winstonind.com/parts-supplies

