

**SPECIFICATIONS**

**Short Form Specs**

Winston CVap Hold/Serve Drawer, model HBB5N2 with electronic differential controls to provide food temperature control from 90 to 180°F (32 to 82°C) and maintain food texture with settings from 90 to 180°F (32 to 82°C). 250°F (121°C) maximum drawer temperature. Utilizes Controlled Vapor Technology (patent #5,494,690) as a method and apparatus for holding hot foods, consisting of an air heater and water heater to establish ideal water vapor content that is in relation with the moistness characteristics for the food.

**Construction**

<b>Control</b>	Electronic differential control allows precise control of food temperature and food texture.
<b>Capacity</b>	2 Steam Table Pan (12" x 20" x up to 6") 4 Half Steam Table Pan (12" x 10" x up to 6") 6 Third Steam Table Pan (12" x 7" x up to 6") 2 Gastronorm Pan 1/1
<b>Weight Tolerance</b>	20 lbs. (9.07 kg,) per drawer.
<b>Electrical</b>	Supplied with 84" (2,134 mm) (minimum) power cord and plug.
<b>Drawers</b>	Accept two full steam table pans (6" (152 mm) deep), four half steam table pans, six third steam table pans, or two 1/1 gastronorm pans. Easy to remove and replace.
<b>Materials</b>	Interior to be stainless steel to provide ease of cleaning and long service life with reasonable use and care.
<b>Water Fill</b>	Operated manually with easy fill spout. Low mineral potable water is recommended, otherwise use deionizer/demineralizer to minimize corrosive damage.
<b>Installation Requirements</b>	Units to be installed with 2" (51mm) clearance on sides and may not be installed within proximity to anything emitting heat that would allow the exterior of the Winston cabinet to exceed surface temperatures of >200°F. Refer to owner's manual for specific installation requirements. Generally, this equipment is not required to be installed under Type 1 or Type 2 Hoods; however, check local health and fire codes for requirements specific to the location.



**HBB5N2**  
CVAP HOLD/SERVE DRAWER  
*Electronic Differential Controls*

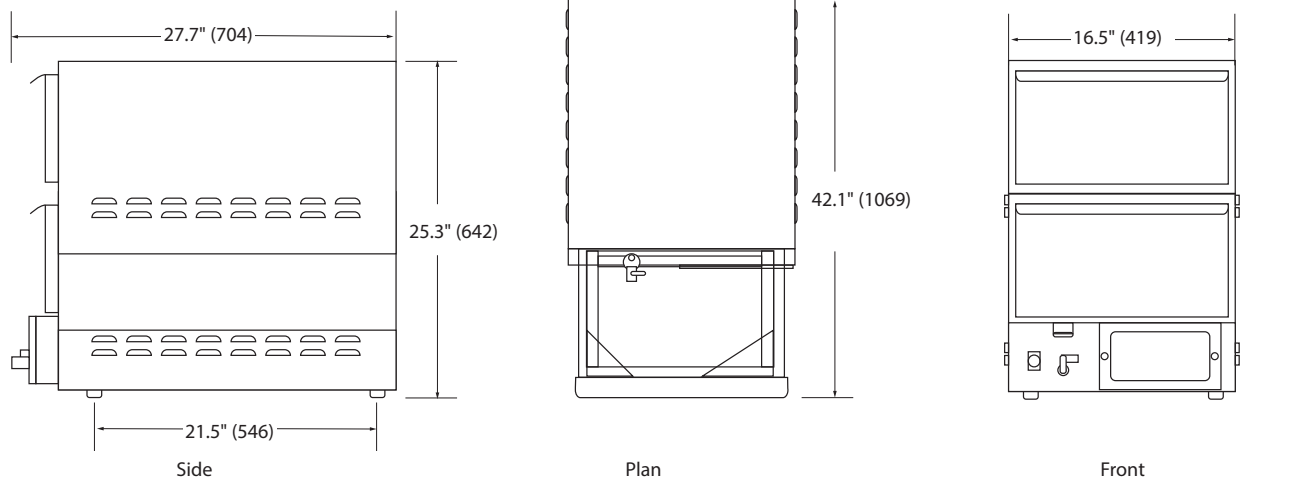
**TWO DRAWER MODEL  
WITH FAN(SHOWN)**



CVap® Hold/Serve Drawers are designed for high quality holding and serving of a wide variety of menu items for extended times. They are ideal for holding, warming, and serving.

JOB

ITEM#



capacity	size in (mm)	volts	hertz	ph	amps	watts	nema	ship wt. lb (kg)	ship cube
US / CANADA									
2 STP	H½= 25.3" (642)	120	60	1	13.1	1572	US 5-15P	125 (57)	9.5 (0.27)
4 Half STP	H2= 27.3" (693)						Ⓢ		
6 Third STP	H3= 29.1" (739)						Ⓢ		
2 GP 1/1	H4= 29.3" (744)						Ⓢ		
INTERNATIONAL									
Accepts up to 6" deep	W= 16.5" (419) D= 27.7" (704)	<i>Call factory for availability and information.</i>							

STP= Steam Table Pan (12" x 20" x up to 6") • GP= Gastronorm Pan • H½= bumper feet • H2=2"legs H4= 4" legs • H6= 6" legs • H3= 3" casters

**CONTROLLED VAPOR TECHNOLOGY** U.S. patent # 5,494,690 establishes that the water vapor content in the drawer is the same as that of the food. This unique process controls moisture evaporation and saturation, so crisp foods stay crisp, and moist foods stay moist.

**EASY-TO-USE CONTROLS** Two electronic differential control key sets are easy to understand and reliable. These controls never need field calibration.

**FOOD TEMP KEYS** allow control of food temperature from 90 to 180°F (32 to 82°C).

**FOOD TEXTURE KEYS** maintain just-cooked texture. Set near food temperature for moist foods, or set higher for crisp foods. 250°F (121°C) maximum drawer temperature.

**BUILT TO LAST WITH QUALITY CRAFTSMANSHIP**, high grade stainless steel construction and full perimeter insulation.

**ALLOWS FOR BETTER CONTROL OF FOOD QUALITY**, hold your menu items at just-cooked quality and precise serving temperatures for extended times.

**INDUSTRY COMPLIANT**, CVap equipment complies with domestic and international requirements such as UL, C-UL, UL Sanitation, CE, NSF, and others.

**WARRANTY**. Limited one year warranty. Warranty disclaimer for failure to clean. Ask for complete warranty disclosure.

**SPECIFY THE FOLLOWING WHEN ORDERING:**

**Standard** (No additional cost):

1. Voltage: 120V  
\*Inquire about additional international voltages available.
2. Bumper feet ½" (13mm)

**Optional** (Additional cost):

1. 2" (51mm) legs
2. 4" (102 mm) legs
3. 6" (152mm) legs
4. 3" (76mm) casters
5. Control cover
6. Extended Warranty

**Accessories & Supplies** (Additional cost):

- PS3177      Drawer Tray Perforated-N

**FOR WINSTON SERVICE PARTS, ACCESSORIES, AND SUPPLIES ONLINE!**  
foodservice.winstonind.com/parts-supplies