

## Save on Shortening with Winston



Filtering is a fact of frying life. You've gotta filter it to preserve it. Unlike most of our competitors, Winston's Shortening Filter is a stand-alone machine – it isn't an integral part of the fryer. So you can service multiple fryers with a single filter. Our filters are fast, efficient, and simple to use.

### Winston F662T

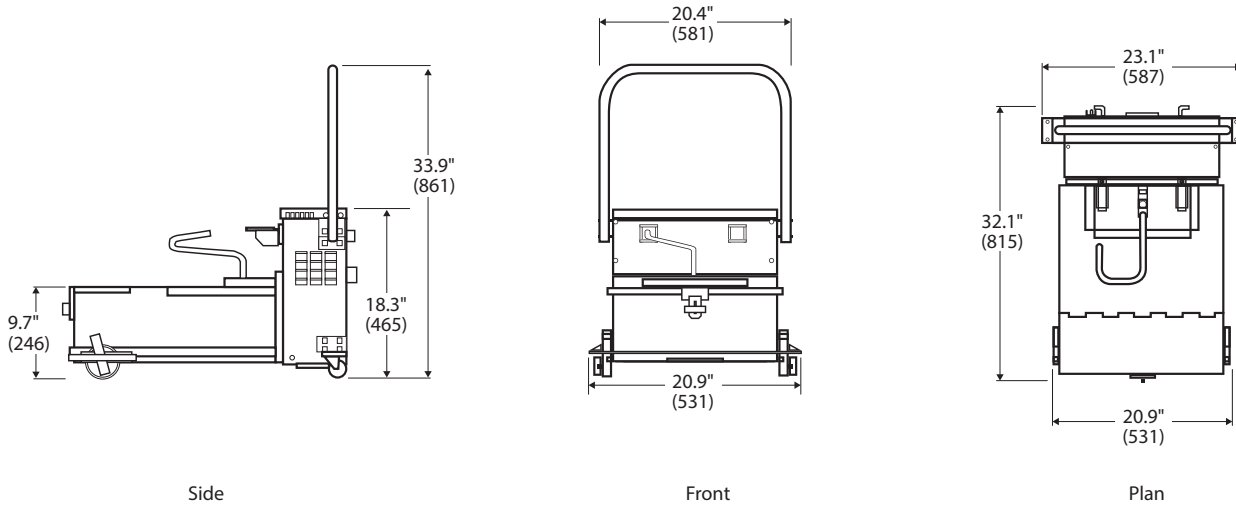
Single-leaf filter plate pulls carbon particles and other substances from the shortening. Moreover, quick disconnect provides safer operation with our five foot flexible hose and wand. Crumb-catching prefilter is standard on all transport units. Built to last with quality craftsmanship and high grade stainless steel construction. Durable and easy to clean. Above all, heavy-duty pump and motor speeds filtering time to three G.P.M. (11.4 L.P.M).

### What are the benefits to filtering my cooking oil daily?


- **Greater frying oil efficiency:** Filtering extends the oil's life, allowing it to be used for more cooks before needing replacement.
- **Improved frying oil quality:** Consistent filtering removes debris, maintaining the oil's clarity and reducing the risk of burning or off-flavors.
- **Reduced frying oil costs:** Regular filtration lowers oil consumption, reducing the need for frequent oil purchases and lowering overall costs.
- **Better tasting fried products:** Clean, filtered oil produces food with a crisp texture and fresher, more appealing flavors and appearance.



# Winston Shortening Filter



Drawings no to scale.

capacity	size in (mm)	volts	hertz	ph	amps	watts	nema	ship wt. lb (kg)	ship cube
90 lbs (41 kg.)	H= 33.87" (860) W= 23.125" (587) D= 32.125" (816)	US / CANADA							
		120	60	1	5.0	600	5-15P 	110 (50)	9.8 (0.28)
		INTERNATIONAL							
		230*	50	1	2.5	575	N/A	135 (61)	call factory

Includes: 10 sheets filter paper (16.75" x 22.5"), 1 tank cover.

**PATENTED TECHNOLOGY** Single-leaf filter plate pulls the carbon particles and other substances from the shortening.

**EASY-TO-USE** Portable design allows for the filtering of one or multiple fryers. Quick disconnect provides safe operation.

**BUILT TO LAST WITH QUALITY CRAFTSMANSHIP**, Quality craftsmanship and high grade stainless steel construction. Durable and easy to clean. Heavy-duty pump and motor speeds filtering time to three G.P.M. (11.4 L.P.M).

**INDUSTRY COMPLIANT**, Winston Shortening Filters are built to comply with all domestic, and most international requirements, such as UL, C-UL, UL Sanitation, DEMKO, CE, MEA, and others.

**CRUMB-CATCHING PRE-FILTER**, Standard on all transport units.

**WARRANTY**. Limited one year warranty. Warranty disclaimer for failure to clean. Ask for complete warranty disclosure.



## Filter Paper - PS1488

A new paper filter is needed for each filtering. The Winston F662T requires Winston PS1488 filters. These OEM filter are available in cases of 100, and measure 16.75" x 22.5".

