



# CVAP® UNIVERSAL HOLDING BIN CABINETS



## UBV7 SERIES UBV7-04HP | UBV7-08SG

The most advanced CVap Universal Holding Bin cabinets: Includes C-Touch Control, HACCP Temperature Downloads, Wireless Programming, and Switchable Convection.

### SHORT FORM SPECS

Shall be Winston CVap Universal Holding Bin Cabinet, model \_\_\_\_\_ . Unit to utilize a C-Touch control with processor to control calibration-free thermistors to adjust evaporator and air temperatures in 1°F increments. Features must include a minimum of eight programmable channels which are lockable, USB HACCP download for temperature monitoring, wireless programming (via NFC), and on/off control of convection fans .

### CONFIGURATIONS

**Countertop:** Shallow depth to allow placement on standard 30" countertop. Also can be fitted with 1" wheels for under counter use.

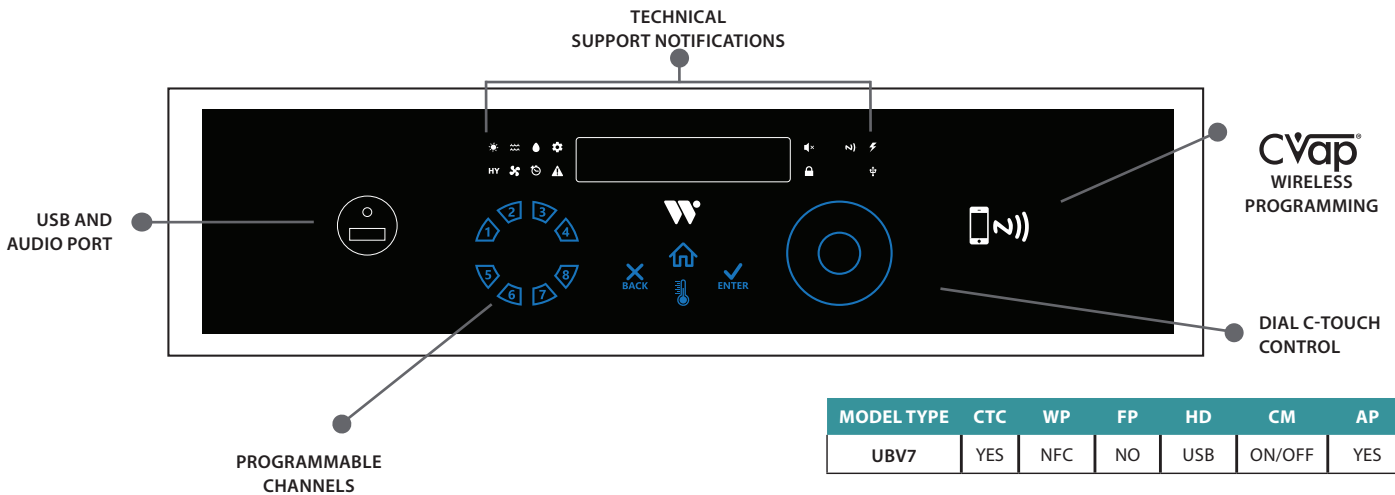
**Half-Sized:** Easily mobile versions, allowing operator to see over cabinet when transporting.

### CVAP ADVANTAGE

The original humidified holding cabinet is still the best. CVap technology uses dry and vapor heat, in tandem, to control food temperature, and maintain it as moist or crisp as you want. Learn more at [winstonfoodservice.com](http://winstonfoodservice.com).



Model Shown: UBV7-8SG



MODEL TYPE	CTC	WP	FP	HD	CM	AP
UBV7	YES	NFC	NO	USB	ON/OFF	YES

CTC - C-Touch Control      HD - HACCP Temp Download  
 WP - Wireless Programming      CM - Convection Mode  
 FP - Food Probe Ready      AP - Audio

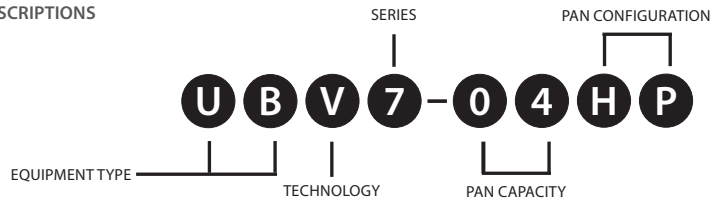


## Cabinet Specifications

UBV7-04HP | UBV7-08SG

## MODEL NUMBER DESCRIPTIONS

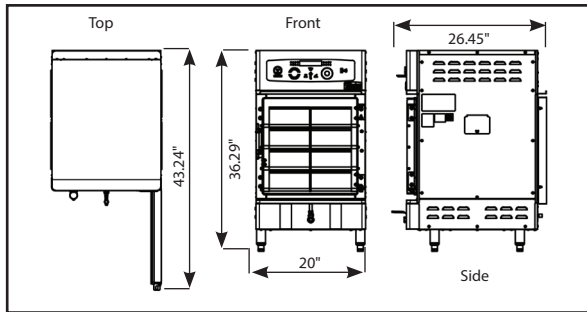
**EQUIPMENT TYPES**  
 HO = HOLDING  
 CH = COOK/HOLD  
 RT = RETHERM  
 UB = UNIVERSAL BIN



**PAN CONFIGURATIONS**  
 HP = HALF PAN  
 SP = SHEET PAN  
 UV = UNIVERSAL  
 SG = SHOTGUN

MODEL #	CAPACITY			EXTERIOR DIMENSIONS **				VOLTS	PHASE	WATTS	AMPS	NEMA***	INT'L	SHIP WEIGHT LBS(KG)
	SHOTGUN PAN (2.5")	HALF SHEET PAN (18" x 13")	HOTEL PAN (12" x 20" x 2.5")	STANDARD CASTER SIZE	HEIGHT IN.(MM)	DEPTH IN.(MM)	WIDTH IN.(MM)							
UBV7-04HP	N/A	4	4	4" LEGS	36.29(922)	26.45(672)	20(508)	120	1	1647	13.73	5-20P	Call Factory	160 (73)
UBV7-08SG	8	N/A	N/A	4" LEGS	36.29(922)	26.45(672)	20(508)	120	1	1647	13.73	5-20P	Call Factory	160 (73)

\*\*Exterior Dimensions- Cabinet height is calculated with 4" leg. Cabinet height with other options is as follows: 6"-leg= 38.29", 1.5"-wheels=34.06", 3"-casters=36.54", 5"-casters=38.85" \*\*\*NEMA- Supplied with 84" (2134mm) (minimum) power cord and plug. The input average of current did not exceed the allowable amperage for the circuit listed.



**CONTROL:** C-Touch control with vapor and air temperatures to be adjusted in 1°F increments. Processor controlled calibration-free thermistors, accurate within +/- 2°F. Control allows for eight programmable (and lockable) channels, accommodates software updates via USB. UBV7 models allow wireless programming via NFC, and on/off control for convection fans.

**MATERIALS:** To be commercial and institutional grade stainless steel interior and exterior.

**DOORS:** Right hinged door with 4 or 8 flip down bin doors. Allows serving directly from the cabinet without disturbing the optimum conditions in the other bins,

**WATER FILL:** Operated manually with low water detection. Auto-fill optional. Low mineral potable water recommended, otherwise use deionizer/demineralizer to minimize corrosion damage.

**INSTALLATION REQUIREMENTS:** Units to be installed with 2" (51mm) clearance on sides and may not be installed within proximity to anything emitting heat that would allow the exterior of the Winston cabinet to exceed surface temperatures of >200°F. Refer to owner's manual for specific installation requirements.

**INDUSTRY COMPLIANT:** Equipment complies with domestic and most international requirements; such as UL, C-UL, UL Sanitation, CE, MEA, EPA202, and others.

**WARRANTY:** Limited one-year warranty (excludes gaskets, lamps/lights, hoses, power cord, glass panels, and evaporator). Warranty disclaimer for improper cleaning, installation, and/or maintenance. Ask for complete warranty disclosure.

## SPECIFY THE FOLLOWING WHEN ORDERING:

**Standard** (No additional cost):

- Hinge Preference: Right hinge only.
- Legs: See table above for standard leg size, additional options include 1.5" wheels, 3" caster, 5" caster, and 6" legs.

**Optional** (Additional cost):

- Pass Through
- Auto Water Fill
- Extended Warranty

**Accessories & Supplies** (Additional cost):

- PS2429 External water filter for auto water fill
- PS2696 Mobile water removal system

FOR WINSTON SERVICE PARTS, ACCESSORIES, AND SUPPLIES ONLINE!  
[foodservice.winstonind.com/parts-supplies](http://foodservice.winstonind.com/parts-supplies)