

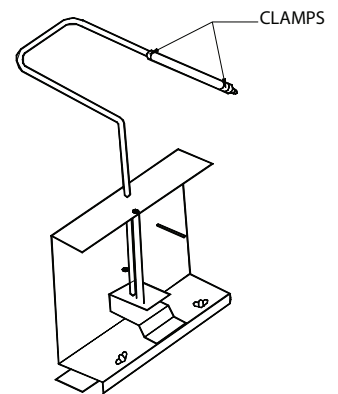
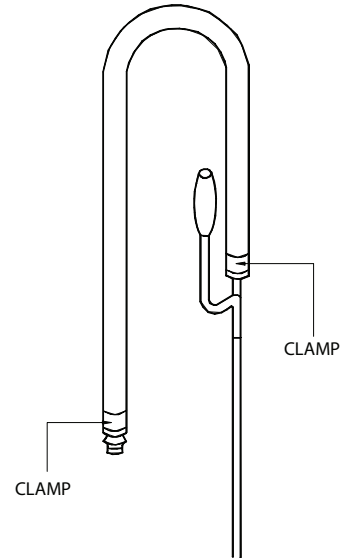
Repair Shortening Filter Hoses

INSTRUCTION MANUAL

DANGER! - The following procedure must be followed when shortening filter hoses are replaced. Failure to do so can result in severe burn or injury.

INSTRUCTIONS:

In conjunction with standards set forth by the National Sanitation Foundation (NSF), steel braid rubber hose must be used with shortening filters. When replacement hoses are installed, machine or hydraulic type clamps must be used. Hose clamps with screw type securing means (i.e. radiator hose clamps) are unacceptable and must never be used. A local machine shop or company that services hydraulic equipment should install machine or hydraulic type clamps. Some service stations also perform this type work.



Buy Winston service parts online!
Factory direct at www.winstonparts.com