

# Legacy Leg & Shelf Kit Assembly

## INSTRUCTION MANUAL

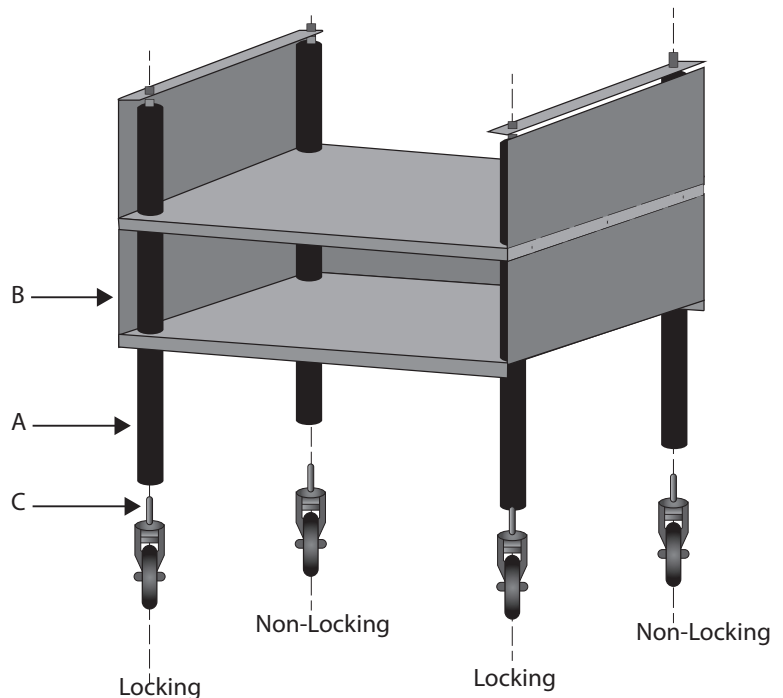
**TOOL(S) NEEDED:** • Rubber mallet

**KIT CONTENTS:**

Legs (4), shelf (1), casters (4)

**INSTRUCTIONS:**

1. Utilizing caution, lay cabinet on its side.
2. Unscrew legs or casters that may already be on the cabinet.
3. Place shelf (B) in position under cabinet with the openings toward the front of the cabinet.
4. Slide legs (A) thru holes in shelf (B) with the threaded end going towards the cabinet.
5. Screw new legs (A) into bottom of cabinet where old legs or casters were removed.
6. Insert caster stems (C) through holes in bottom of legs (A). Using rubber mallet, strike bottom of caster (C) to secure it to the leg. Repeat this procedure for the three remaining legs.
7. With casters in locked position and utilizing caution, lift cabinet into an upright position.
8. Adjust shelf height and level and fully tighten leg clamps' screws and nuts.



**Buy Winston service parts online!**  
Factory direct at [www.winstonparts.com](http://www.winstonparts.com)

