

Replace Auto Reset High Limit Thermostat with Manual Reset, Fryers, PS2939

INSTRUCTION MANUAL

TOOL(S) NEEDED:

• Flat blade screwdriver	• Pliers	• File or sandpaper to	• Wrenches - 9/16", 1/16"
• Phillips screwdriver	• Electric drill	deburr metal	• Silicone sealant - high
	• Drill bit - 1/4"	• Wrenches or nut drivers	temp
		3/8", 7/16"	

KIT CONTENTS:

- (1) High limit thermostat assembly
- (2) Aluminum washers for thermostat bulb bushing
- (1) Thermostat bulb/heater clamp assembly with shield
- (1) Insulation strap and buckle
- (2) 10-32 nuts with lock washers
- (2) 10-32 x 0.5" screws
- (2) 4" wire ties

INSTRUCTIONS:

1. Shut off power to fryer and unplug power cord from wall outlet if possible.
2. Drain shortening from fryer, remove collector, and clean inside of fryer. Allow fryer to cool.
3. Remove four screws to open front service panel of fryer, and locate the existing high limit thermostat.
4. Remove strap holding insulation around pot and remove section of insulation to allow access to thermostat bulb bushing and compression nut.
5. Remove thermostat bulb/heater clamp from existing high limit thermostat sensing bulb inside fryer pot.
6. Unscrew compression nut and thermostat bulb bushing from pot bushing.
7. Pull thermostat bulb and bushing from pot bushing.
8. Disconnect wires from existing high limit thermostat terminals.
9. Remove existing high limit thermostat from mounting bracket.
10. Place front service panel back into position and secure temporarily with one or two screws. **Note:** If the thermostat to be replaced is not already mounted on the front panel, use hole drill paper pattern as supplied on the next page to mark holes on the front of the service panel in the position shown. Place the paper pattern approximately 4-3/8" down from the center of the High Limit Thermostat lamp. Drill three 3/16" holes in the front of the service panel for mounting the new high limit thermostat. Make sure access hole for reset button is deburred (all excess metal shavings removed and sanded smooth).

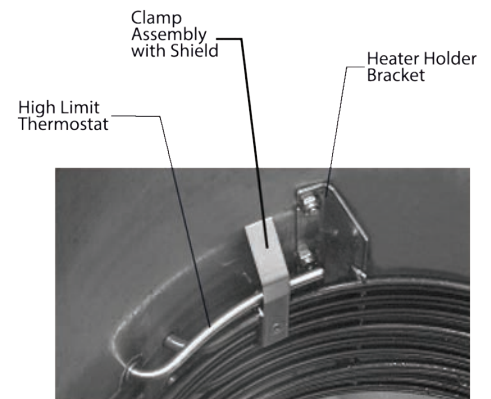


Figure 1

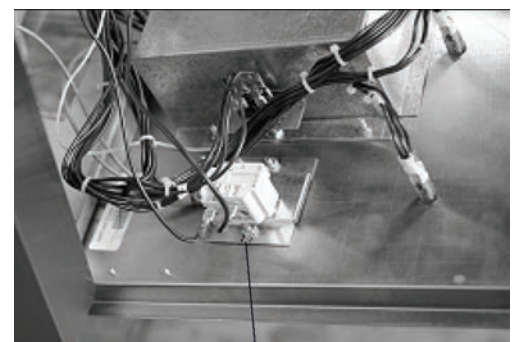
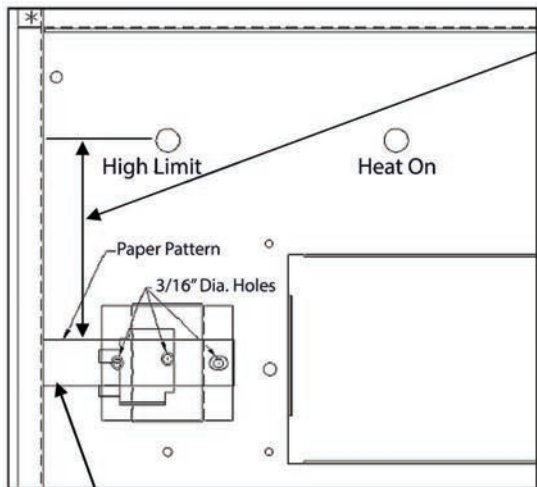


Figure 2

Position of new thermostat mounted on inside back of front

Buy Winston service parts online!
Factory direct at www.winstonparts.com

11. Attach wires to new thermostat terminals.
12. Insert bulb through pot bushing and screw thermostat bulb bushing into pot bushing with two aluminum washers in place on bulb bushing before inserting into pot bushing. **CAUTION: Do not kink Capillary Tube.**
13. Attach thermostat bulb to heaters using bulb clamp provided. Insert bulb into square cut-out hole on clamp. Position bulb clamp toward end of bulb and make sure bulb is NOT touching heaters (see figure 1).
14. Apply silicone sealant between bushing and ferrule.
15. Tighten compression nut to pot bushing securely.
16. Re-open front service panel and mount new high limit thermostat to inside of panel (see figure 2).
17. Reinstall insulation and strap and insure that thermostat capillary tube cannot contact any electrical terminals when service panel is closed (use wire ties supplied). **CAUTION: Do not kink Capillary Tube.**
18. Close service panel and plug in power cord.



Approximately 4-3/8" from center of high limit lamp to top of paper pattern

Front view of fryer front service panel showing new thermostat hole location and position of paper



View of fryer after new high limit thermostat is mounted.



After cutting out pattern, place left edge of paper along left edge of front service panel

Buy Winston service parts online!
Factory direct at www.winstonparts.com