

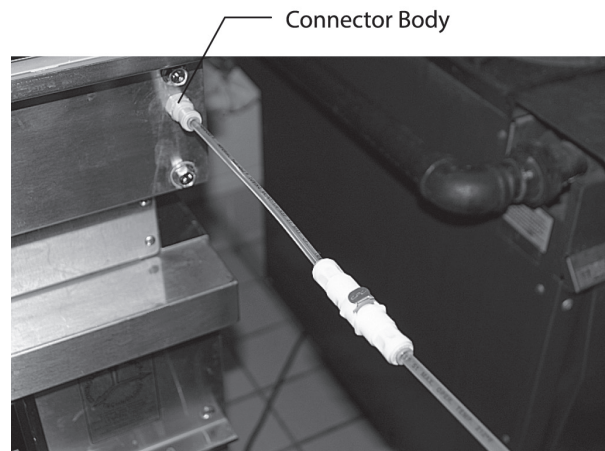
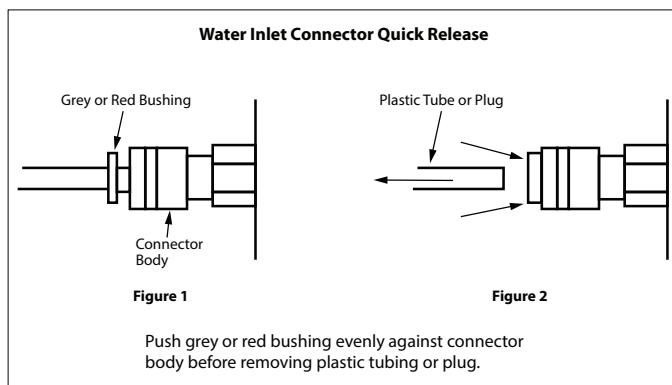
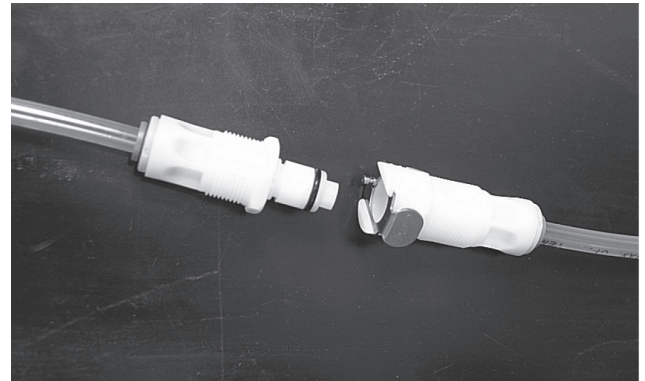
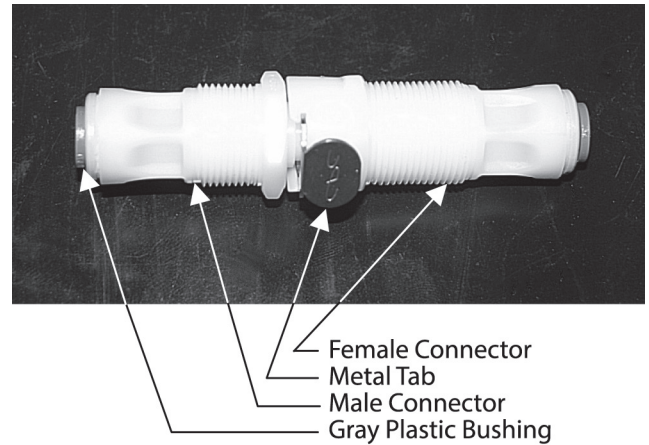
Install Quick Disconnect - Water In-Line

INSTRUCTION MANUAL

TOOL(S) NEEDED: • Knife or Plastic tubing cutters

INSTRUCTIONS:

1. Turn off water to the cabinet auto fill system. Remove ¼" O.D. plastic tubing from inlet bushing on cabinet. If the cabinet's water fill system has not yet been activated, there may be a plastic stopper in the end of the inlet bushing - remove it before proceeding.
2. Cut a 6" length of plastic tubing with knife or tubing cutters. Be sure that the cut is straight and square to the tube.
3. Insert one end of the 6" tube into the female end of the male quick connect piece as shown. Push the tubing in as far as it will go.
4. Insert the free end of the tubing, which is attached to the potable water line, into the male quick connect piece. Push the tubing in as far as it will go.
5. Connect the male and female quick connect pieces together by pushing them until you hear a "click."
6. To disconnect the quick connect pieces, press the metal tab on the side of the female quick connect piece and slide the pieces apart.
7. To remove the tubing from a quick connect piece, turn off water supply to cabinet. Use your fingers to hold the small gray or red plastic bushing flat against the connector body while pulling the tubing out of the connector. See drawing below.



Buy Winston service parts online!
Factory direct at www.winstonparts.com